



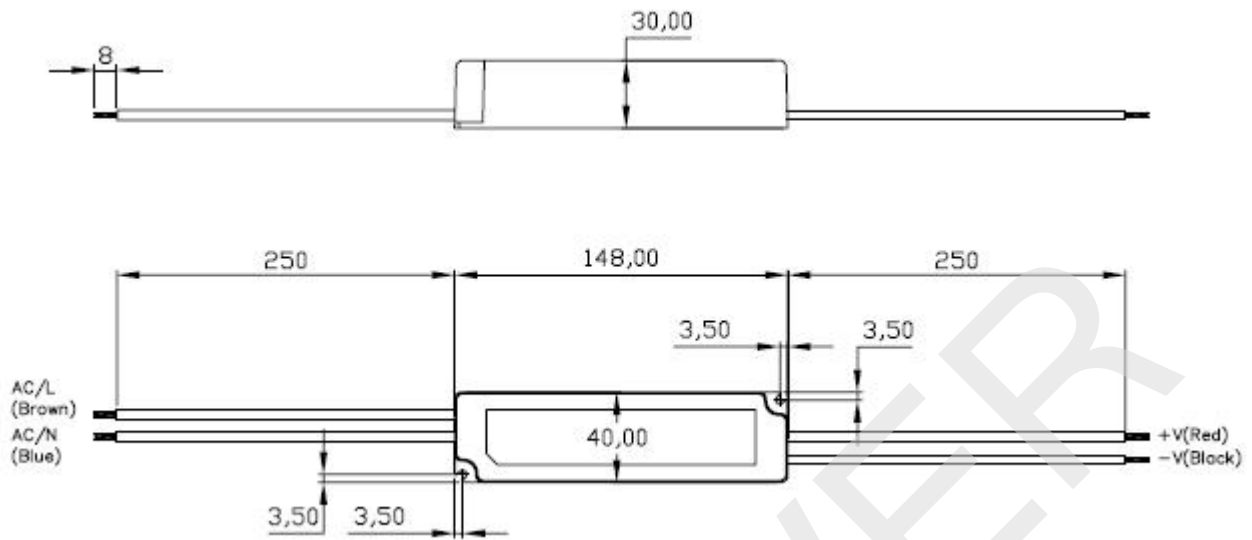
Features :

- Constant voltage mode power supply
- Universal AC input / Full range
- Fully encapsulated with IP67 level
- Protections: Short circuit / Over Voltage
- Small and compact size
- Class 2 power unit
- 100% full load burn-in test
- Suitable for LED lighting and moving sign applications
- 2 years warranty

SPECIFICATION:

| MODEL | | LV50-12 | LV50-24 |
|--------------|----------------------------|--|---------------|
| OUTPUT | DC VOLTAGE | 12V | 24V |
| | RATED CURRENT | 4.2A | 2.1A |
| | CURRENT RANGE | 0~4.2A | 0~2.1A |
| | RATED POWER | 50W | 50W |
| | RIPPLE & NOISE (max.) | 100mVp-p | 200mVp-p |
| | VOLTAGE TOLERANCE | ±3.0% | |
| | LINE REGULATION | ±1.0% | |
| | LOAD REGULATION | ±2.0% | |
| | SETUP,RISE TIME | 500ms,250ms/230VAC 500ms,250ms/115ac at full load | |
| | HOLD UP TIME (Typ.) | 50ms/230VAC 24ms/115VAC at full load | |
| INPUT | VOLTAGE RANGE | 100-240VAC | |
| | FREQUENCY RANGE | 47~63Hz | |
| | EFFICIENCY (Typ.) | 82% full load | 84% full load |
| | AC CURRENT | 1.2A/100VAC | 0.60A/200A |
| | INRUSH CURRENT(max.) | COLD STAT 70A/230VAC 35A/115VAC | |
| | LEAKAGE CURRENT | 0.25mA/240VAC | |
| PROTECTION | SHORT CIRCUIT | Hiccup mode, recovers automatically after fault condition is removed. | |
| | OVER VOLTAGE | Above 13-20V | Above 25-36V |
| ENVIRONMENT | WORKING TEMP. | -10~50°C | |
| | WORKING HUMIDITY | 20~90% RH non-condensing | |
| | STORAGE TEMP., HUMIDITY | -40~80°C, 10~95% RH | |
| | TEMP.COEFFICIENT | ±0.03%/°C (0~50°C) | |
| | VIBRATION | 10 ~ 500Hz, 2G 10min./1cycle, period for 60min. each along X,Y, Z axes | |
| SAFETY & EMC | SAFETY STANDARDS | Design refer to UL1310 Class 2,TUV EN62368-1, EN61347-2-13, CAN/CSA C22.2 No. 223-M91, meet IP67 | |
| | WITHSTAND VOLTAGE | I/P-O/P:3KVAC | |
| | ISOLATION RESISTANCE | I/P-O/P:>100M Ohms / 500VDC / 25~70% RH | |
| | EMI CONDUCTION & RADIATION | Compliance to EN55032:2015+A11:2020 | |
| DIMENSION | | 148*40*30mm (L*W*H) | |

Mechanical Specification



Block Diagram

