



### Features :

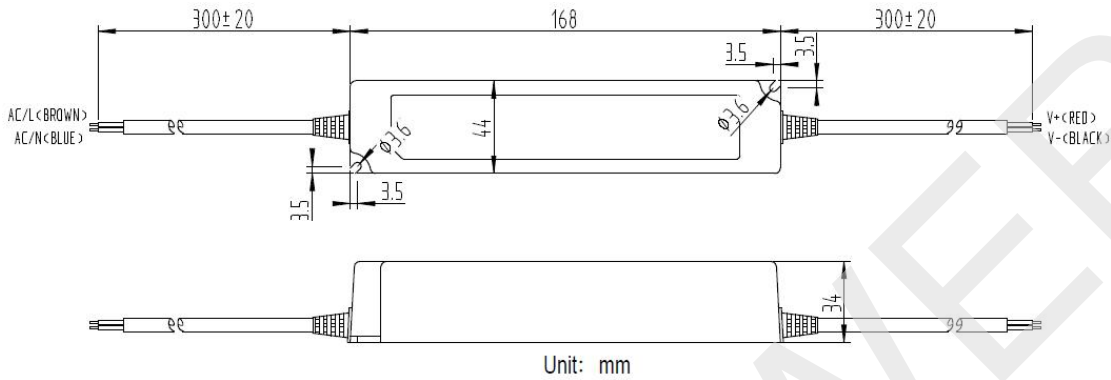
- 200-240Vac input only
- Double isolated input & output cables
- Fully encapsulated with IP67 level
- Protections: Short circuit / Over voltage / Over temperature
- Built-in active PFC function
- No load power consumption <0.5W
- Class II power unit, no FG
- 100% full load burn-in test
- Suitable for LED lighting and moving sign applications
- Damp / wet location outdoor application
- 3 years warranty

### SPECIFICATION:

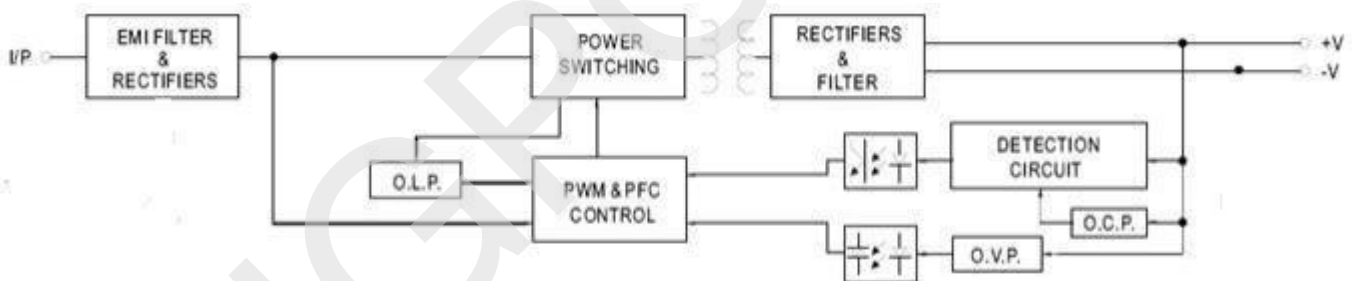
MODEL		LV100P-12H	LV100P-24H
OUTPUT	DC VOLTAGE	12V	24V
	RATED CURRENT	8.33A	4.16A
	RATED POWER	99.96W	99.84W
	RIPPLE & NOISE (max.)	150mVp-p	200mV
	LINE REGULATION	±1.0%	
	LOAD REGULATION	±2.0%	
	SETUP,RISE TIME	1300ms, 80ms / 230VAC	
	HOLD UP TIME (Typ.)	40ms 230VAC / at full load	
	STAND BY POWER(max )	0.5W	
INPUT	VOLTAGE RANGE	200 ~ 240VAC	
	FREQUENCY RANGE	47 ~ 63Hz	
	EFFICIENCY(Typ.)	87%	88%
	AC CURRENT(at full load)	0.6A / 240VAC	
	INRUSH CURRENT(max.)	COLD START 30A/230VAC	
	LEAKAGE CURRENT	<3mA / 240VAC	
PROTECT ION	SHORT CIRCUIT	Protection type : Hiccup mode, recovers automatically after fault condition is removed	
	OVER VOLTAGE	Above 13-20V	Above 25-36V
	OVER TEMPERATURE	Protection type : Shutdown o/p voltage, re-power on to recover after the temperature goes down	
ENVIRONMENT	WORKING TEMP.	-30 ~ +50 @ full load ; +70@ 60% load	
	WORKING HUMIDITY	20 ~ 95% RH non-condensing	
	STORAGE TEMP., HUMIDITY	-40 ~ 80°C, 10 ~ 95% RH	
	TEMP.COEFFICIENT	±0.03%/°C (0 ~ 50°C)	
	VIBRATION	10 ~ 500Hz, 5G 12min./1cycle, period for 72min. each along X, Y, Z axes	

SAFETY & EMC	SAFETY STANDARDS	Design refer to UL1310 Class 2, TUV EN62368- 1, EN61347-2- 13, CAN/CSA C22.2 No. 223-M91, meet IP67
	WITHSTAND VOLTAGE	I/P-O/P:3.0KVAC
	ISOLATION RESISTANCE	I/P-O/P:>100M Ohms / 500VDC / 25°C/70% RH
	EMC CONDUCTION & RADIATION	Compliance to EN55015, EN61000-3-2 Class C;EN61000-3-3
DIMENSION		168*44*34mm (L*W*H)

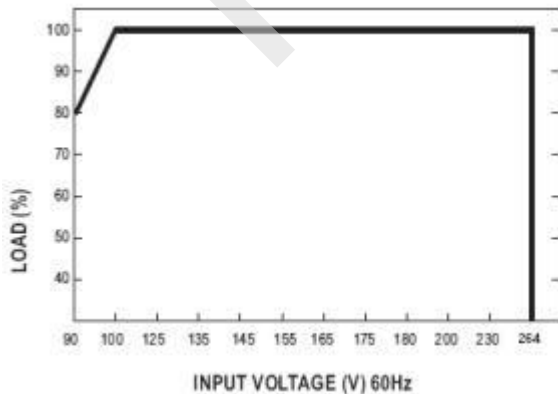
### Mechanical Specification :



### Block Diagram :



### Static Characteristics:



### Derating Curve:

