



Features :

- Universal AC input / Full range
- Double isolated input & output cables
- Fully encapsulated with IP67 level
- Protections: Short circuit / Over voltage / Over temperature
- Built-in active PFC function
- No load power consumption <0.5W
- Class II power unit, no FG
- 100% full load burn-in test
- Suitable for LED lighting and moving sign applications
- Damp / wet location outdoor application
- 3 years warranty

SPECIFICATION:

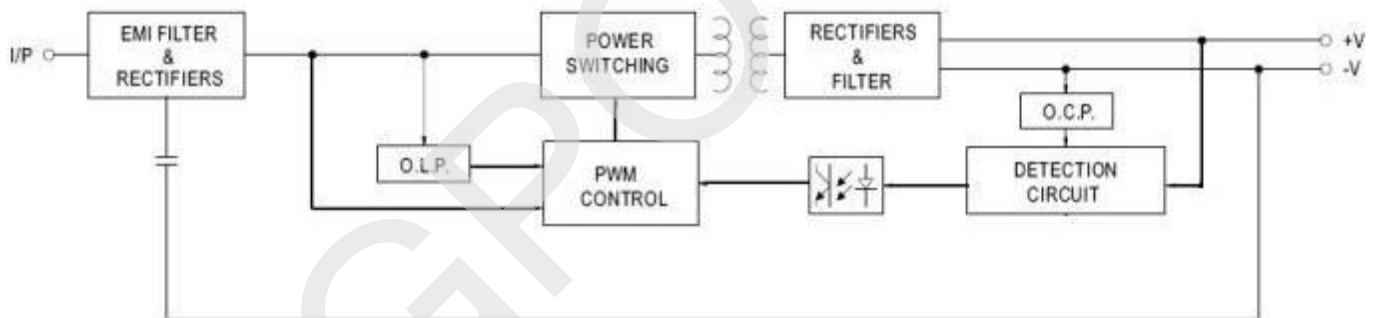
MODEL		LV60P-5H	LV60P-12H	LV60P-15H	LV60P-24H	LV60P-36H	LV60P-48H
OUTPUT	DC VOLTAGE	5V	12V	15V	24V	36V	48V
	RATED CURRENT	8A	5A	4A	2.5A	1.65A	1.25A
	CURRENT RANGE	0~8A	0~5A	0~4A	0~2.5A	0~1.65A	0~1.25A
	RATED POWER	40W	60W	60W	60W	59.4W	60W
	RIPPLE & NOISE (max.)	120Vp-p	150Vp-p	200Vp-p	300Vp-p	400Vp-p	400Vp-p
	VOLTAGE TOLERANCE	±3.0%					
	LINE REGULATION	±1.0%					
	LOAD REGULATION	±5.0%	±2.0%				
	SETUP,RISE TIME	1000ms,80ms/230VAC 1000ms,80ms/110VAC at full load					
	HOLD UP TIME (Typ.)	16ms at full load					
INPUT	VOLTAGE RANGE	100 ~ 240VAC					
	FREQUENCY RANGE	47~63Hz					
	POWER FACTOR	PF≥0.92/230VAC PF≥0.97/110VAC at full load					
	TOTAL HARMONIC DISTORTION	THD<20%(@load ≥ 60%/110VAC,230VAC					
	EFFICIENCY(Typ.)	82%	85%	85%	86%	87%	88%
	AC CURRENT(at full load)	0.8A/110AC 0.4A/230VAC					
	INRUSH CURRENT (max.)	COLD START 75A/230VAC					
	LEAKAGE CURRENT	<0.75mA / 230VAC					
PROTECT ION	SHORT CIRCUIT	Hiccup mode, recovers automatically after fault condition is removed					
	OVER VOLTAGE	Above 6-8V	Above 13-18V	Above 16-22V	Above28-34V	Above45-50V	Above58-70V
	OVER TEMPERATURE	Protection type : Shut down o/p voltage, recovers automatically after temperature goes down					
ENVIRONMENT	WORKING TEMP.	-30 ~ +50 @ full load ; +70 @ 60% load					
	WORKING HUMIDITY	20~95% RH non-condensing					
	STORAGE TEMP., HUMIDITY	-40~80°C, 10~95% RH					
	TEMP.COEFFICIENT	±0.03%/°C (0~50°C)					
	VIBRATION	10 ~ 500Hz, 5G 12min./1cycle, period for 72min. each along X, Y, Z axes					

SAFETY & EMC	SAFETY STANDARDS	Design refer to UL1310 Class 2, TUV EN62368- 1, EN61347-2- 13, CAN/CSA C22.2 No. 223-M91, meet IP67
	WITHSTAND VOLTAGE	I/P-O/P:3.0KVAC
	ISOLATION RESISTANCE	I/P-O/P:>100M Ohms / 500VDC / 25~70% RH
	EMC EMISSION	Compliance to EN55015, EN61000-3-2 Class C;EN610000-3-3
DIMENSION		152.5*44*34mm (L*W*H)

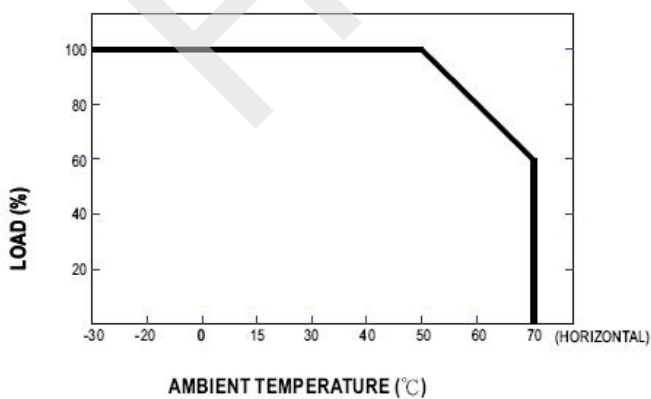
Mechanical Specification:



Block Diagram :



Derating Curve:



Static Characteristics:

