



Features :

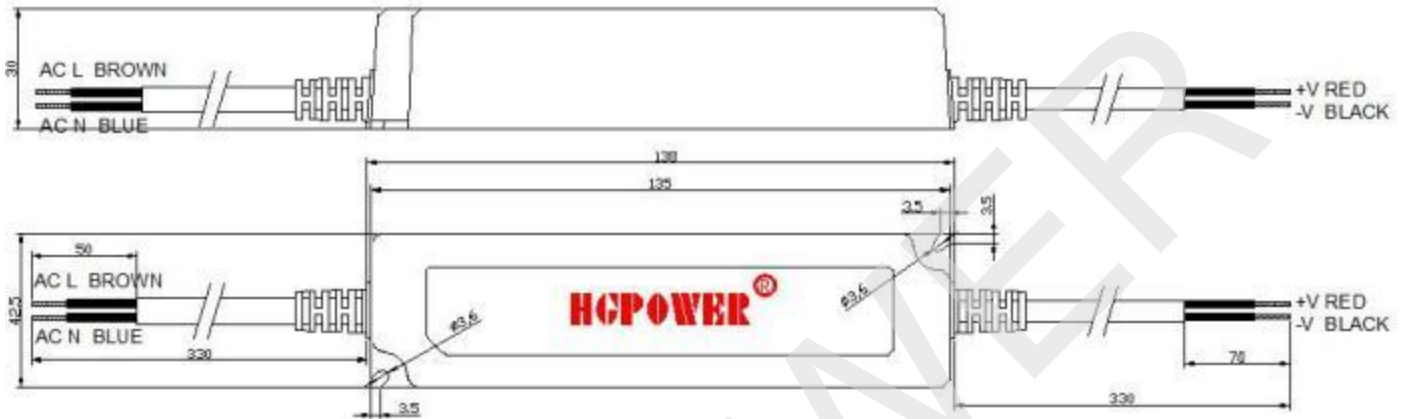
- Universal AC input / Full range
- Double isolated input & output cables
- Fully encapsulated with IP67 level
- Protections: Short circuit / Over voltage / Over temperature
- Built-in active PFC function
- No load power consumption <0.5W
- Class II power unit, no FG
- 100% full load burn-in test
- Suitable for LED lighting and moving sign applications
- Damp / wet location outdoor application
- 3 years warranty

SPECIFICATION:

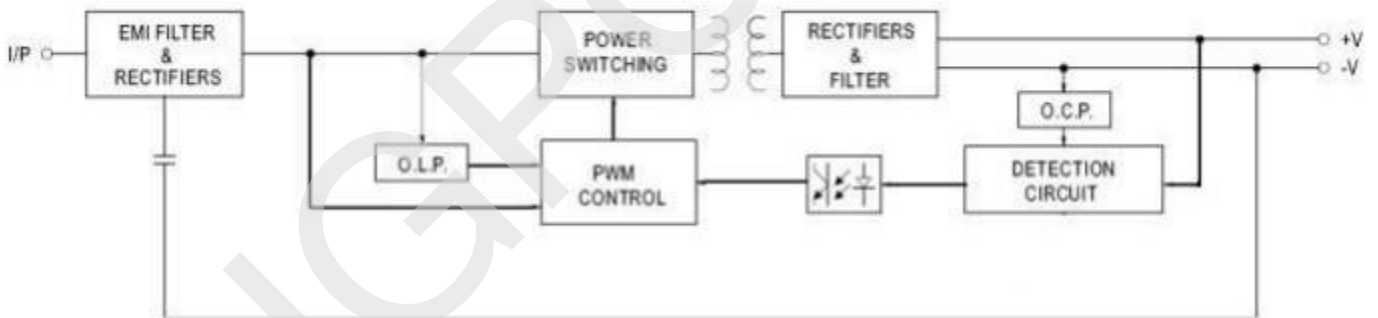
MODEL		LV35P-12H	LV35P-24H
OUTPUT	DC VOLTAGE	12V	24V
	RATED CURRENT	3A	1.5A
	CURRENT RANGE	0~3A	0~1.5A
	RATED POWER	36W	36W
	RIPPLE & NOISE (max.)	150mVp-p	200mVp-p
	VOLTAGE TOLERANCE	±3%	
	LINE REGULATION	±1%	
	LOAD REGULATION	±2%	±2%
	SETUP,RISE TIME	500ms,80ms/230VAC 500ms,80ms/115 VAC at full load	
	HOLD UP TIME (Typ.)	20ms at full load	
INPUT	VOLTAGE RANGE	100 ~ 264VAC	
	FREQUENCY RANGE	47 ~ 63Hz	
	POWER FACTOR	PF≥0.90/230VAC PF≥0.95/115VAC at full load	
	EFFICIENCY(Typ.)	85%	86%
	AC CURRENT(at full load)	0.6A/115AC	0.3A/240VAC
	INRUSH CURRENT (max.)	COLD START 50A/230VAC	
	LEAKAGE CURRENT	<0.75mA / 240VAC	
PROTECT ION	SHORT CIRCUIT	Hiccup mode, recovers automatically after fault condition is removed	
	OVER VOLTAGE	Above 13-20V	Above 25-36V
	OVER TEMP.	Protection type : Shutdown o/p voltage, recovers automatically after temperature goes down	
ENVIRONMENT	WORKING TEMP.	-30 ~ +50 @ full load ; +70 @ 60% load	
	WORKING HUMIDITY	20 ~ 95% RH non-condensing	
	STORAGE TEMP., HUMIDITY	-40 ~ 80°C, 10 ~ 95% RH	
	TEMP.COEFFICIENT	±0.03%/°C (0 ~ 50°C)	
	VIBRATION	10 ~ 500Hz, 5G 12min./1cycle, period for 72min. each along X, Y, Z axes	

SAFETY & EMC	SAFETY STANDARDS	Design refer to UL1310 Class 2, TUV EN62368- 1, EN61347-2- 13, CAN/CSA C22.2 No. 223-M91, meet IP67
	WITHSTAND VOLTAGE	I/P-O/P:3.0KVAC
	ISOLATION RESISTANCE	I/P-O/P:>100M Ohms / 500VDC / 25 ~ 70% RH
	EMC EMISSION	Compliance to EN55015, EN61000-3-2 Class C; EN61000-3-3
DIMENSION		138*43*34mm (L*W*H)

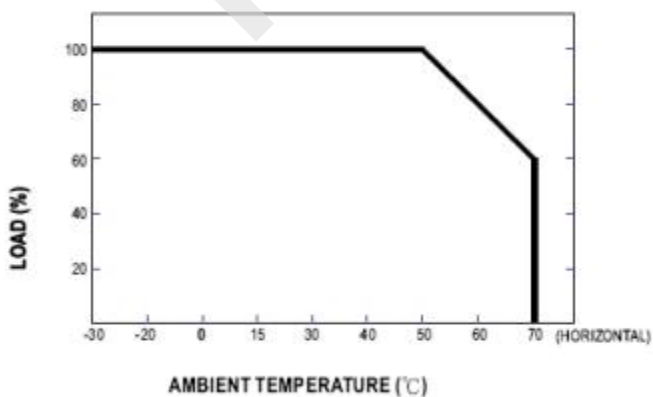
Mechanical Specification:



Block Diagram :



Derating Curve:



Static Characteristics:

