



Features :

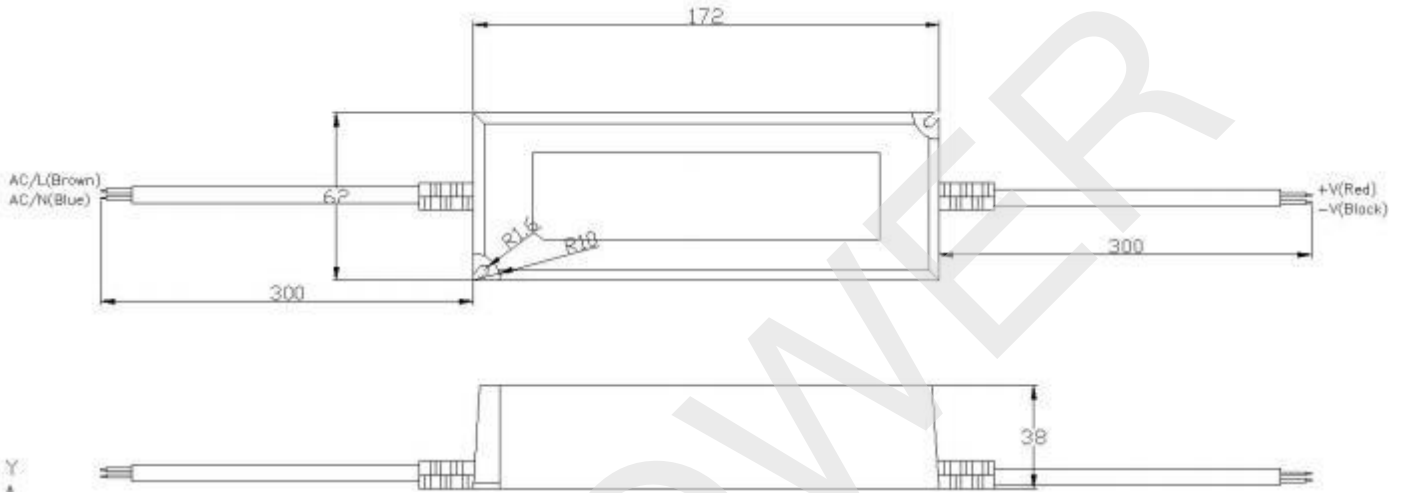
- Universal AC input/Full range
- Input & output with double isolated cables
- Protections: Short circuit / Over current / Over temperature
- IP67 design
- Power factor >0.9
- Cooling by free air convection
- Suitable for LED lighting
- Compliance to worldwide safety regulations for lighting
- Damp / wet location outdoor application
- 3 years warranty

SPECIFICATION:

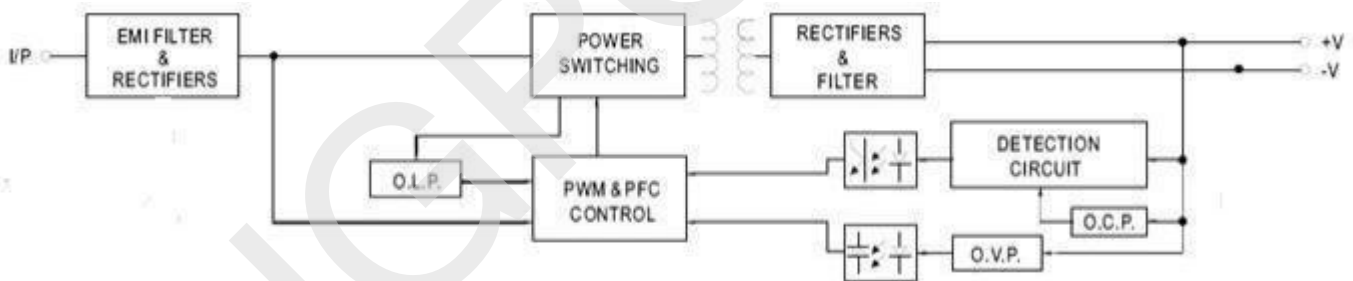
MODEL		LA100P-1400	LA100P-2100
OUTPUT	DC VOLTAGE	42-72V	24-48V
	RATED CURRENT	1400mA	2100mA
	RATED POWER	100.8W	100.8W
	RIPPLE & NOISE (max.)	200mVp-p	200mVp-p
	LINE REGULATION	±1.0%	
	LOAD REGULATION	±2.0%	
	SETUP,RISE TIME	1300ms, 80ms / 240VAC	
HOLD UP TIME (Typ.)	40ms 230VAC / at full load		
INPUT	VOLTAGE RANGE	100 ~ 240VAC	
	FREQUENCY RANGE	47~63Hz	
	EFFICIENCY(Typ.)	89%	90%
	AC CURRENT(at full load)	350mA / 240VAC	
	INRUSH CURRENT(max.)	COLD START 30A/230VAC	
	LEAKAGE CURRENT	<5mA/ 240VAC	
PROTECT ION	OVER CURRENT	95 ~ 110% Above 105%-110% of rated current	
	SHORT CIRCUIT	Hiccup mode , recovers automatically after fault condition is removed	
	OVER TEMPERATURE	Protection type : Shutdown o/p voltage, re-power on to recover after temperature goes down	
ENVIRONMENT	WORKING TEMP.	-30 ~ +50 @ full load ; +70@ 60% load	
	WORKING HUMIDITY	20 ~ 95% RH non-condensing	
	STORAGE TEMP., HUMIDITY	-40~80℃ , 10~95% RH	
	TEMP.COEFFICIENT	±0.03%/℃ (0~50℃)	
	VIBRATION	10 ~ 500Hz, 5G 12min./1cycle, period for 72min. each along X, Y, Z axes	
SAFETY	SAFETY STANDARDS	Design refer to UL1310 Class 2,TUV EN61347-2-13, CAN/CSA C22.2 No. 223-M91, meet IP67	

& EMC	WITHSTAND VOLTAGE	I/P-O/P:3.0KVAC
	ISOLATION RESISTANCE	I/P-O/P:>100M Ohms / 500VDC / 25°C/70% RH
	EMI CONDUCTION & RADIATION	Compliance to EN55015:2013+A1: 2015
	HARMONIC CURRENT	Compliance to EN61000-3-2,-3
DIMENSION		172*62*38mm (L*W*H)

Mechanical Specification :



Block Diagram:



Derating Curve:

