



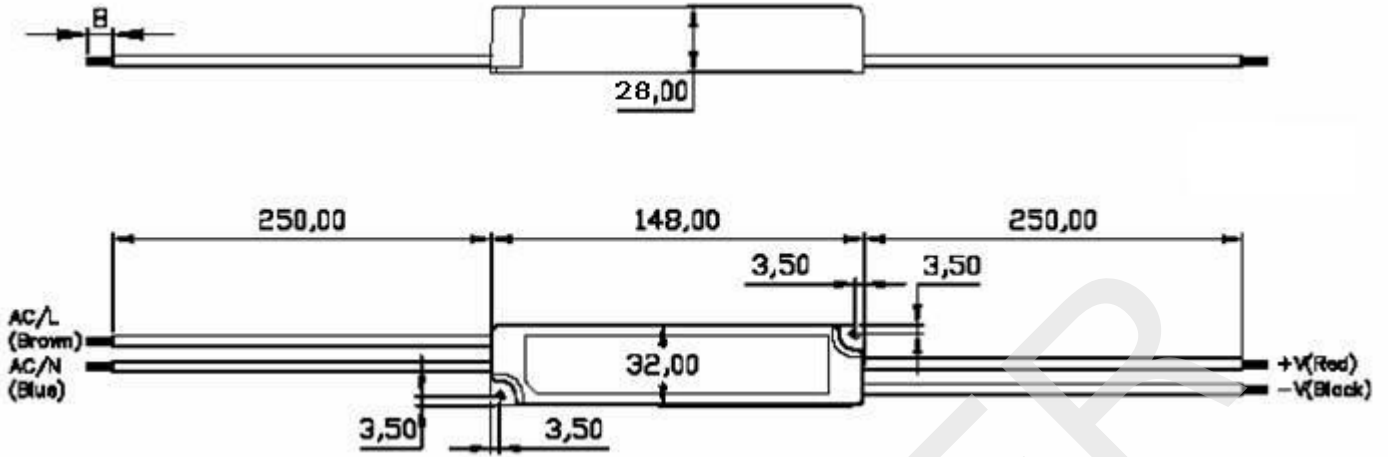
Features :

- Constant current mode power supply
- Universal AC input / Full range
- Fully encapsulated with IP67 level
- Protections: Short circuit/Over current
- Built-in active PFC function
- Small and compact size
- Class 2 power unit, pass LPS
- 100% full load burn-in test
- Suitable for LED lighting and moving sign applications
- 2 years warranty

SPECIFICATION:

MODEL		LA35P-350	LA35P-700	LA35P-1050	LA35P-1400
OUTPUT	DC VOLTAGE	80V	48V	30V	24V
	DC VOLTAGE RANGE	40-80V	24-48V	15-30V	12-24V
	CURRENT RANGE	350mA ±3%	700mA ±3%	1050mA ±3%	1400mA ±3%
	RATED POWER	28W	34W	31.5W	34W
	RIPPLE & NOISE (max.)	5Vp-p	5Vp-p	5Vp-p	5Vp-p
	VOLTAGE TOLERANCE	±3.0%			
	LINE REGULATION	±1.0%			
	LOAD REGULATION	±2.0%			
SETUP,RISE TIME	1500ms,250ms/230VAC 3000ms,250ms/115ac at full load				
INPUT	VOLTAGE RANGE	100-240VAC			
	FREQUENCY RANGE	47~63Hz			
	EFFICIENCY(Typ.)	84% full load	84% full load	84% full load	84% full load
	POWER FACTOR	PF>0.9/230VAC PF>0.95/115VAC at full load			
	SETUP,RISE TIME	1500ms,250ms/230VAC 3000ms,250ms/115AC at full load			
	AC CURRENT	0.6A/100VAC		0.3A/240VAC	
	INRUSH CURRENT (max.)	COLD STAT 70A/230VAC			
	LEAKAGE CURRENT	0.3mA/240VAC			
PROTECTION	OVER CURRENT	Above 105% rated output power.			
	SHORT CIRCUIT	Hiccup mode, recovers automatically after fault condition is removed			
ENVIRONMENT	WORKING TEMP.	-10~50°C			
	WORKING HUMIDITY	20~90% RH non-condensing			
	STORAGE TEMP., HUMIDITY	-40~80°C, 10~95% RH			
	TEMP.COEFFICIENT	±0.03%/°C (0~50°C)			
	VIBRATION	10 ~ 500Hz, 2G 10min./1cycle, period for 60min. each along X,Y, Z axes			
SAFETY & EMC	SAFETY STANDARDS	Design refer to UL1310 Class 2,TUV EN61347-2-13, CAN/CSA C22.2 No. 223-M91, meet IP67			
	WITHSTAND VOLTAGE	I/P-O/P:3KVAC			
	ISOLATION RESISTANCE	I/P-O/P:>100M Ohms / 500VDC / 25~70% RH			
	EMI CONDUCTION & RADIATION	Compliance to EN55015:2013+A1: 2015			
	HARMONIC CURRENT	Compliance to EN61000-3-2,-3			
	DIMENSION	148*32*28mm (L*W*H)			

Mechanical Specification



Block Diagram

