



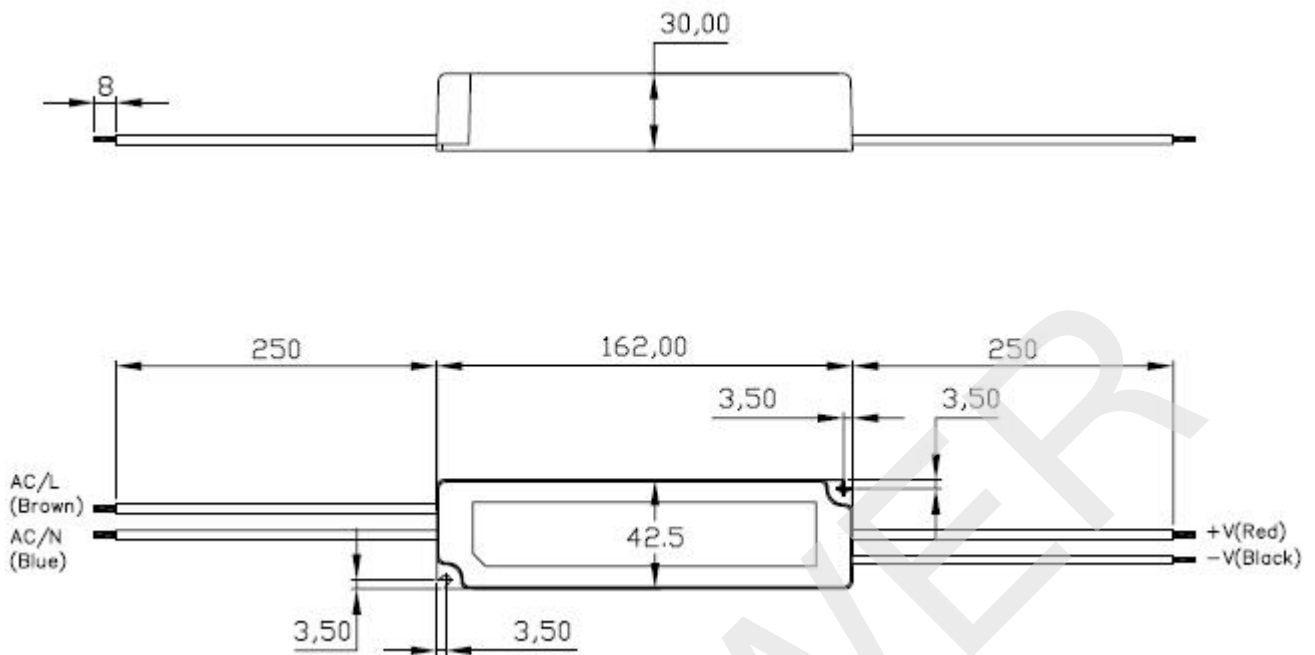
### Features :

- Constant current mode power supply
- Universal AC input/Full range
- Fully encapsulated with IP67 level
- Protections: Short circuit/Over current
- Small and compact size
- Class 2 power unit, pass LPS
- 100% full load burn-in test
- Suitable for LED lighting and moving sign applications
- 2 years warranty

### SPECIFICATION:

MODEL		LA60-1050	LA60-1400	LA60-1750
OUTPUT	DC VOLTAGE	60V	42V	36V
	DC VOLTAGE RANGE	12-60V	9-42V	9-36V
	CURRENT RANGE	1050mA ± 3%	1400mA ± 3%	1750mA ± 3%
	RATED POWER	63W	58.8W	63W
	RIPPLE & NOISE (max.)	300mVp-p	200mVp-p	200mVp-p
	VOLTAGE TOLERANCE	± 3.0%		
	LINE REGULATION	± 1.0%		
	LOAD REGULATION	± 2.0%		
	SETUP,RISE TIME	500ms,250ms/230VAC 500ms,250ms/115ac at full load		
HOLD UP TIME (Typ.)	50ms/230VAC 24ms/115VAC at full load			
INPUT	VOLTAGE RANGE	100-240VAC		
	FREQUENCY RANGE	47~63Hz		
	EFFICIENCY (Typ.)	85% full load	85% full load	85% full load
	AC CURRENT	1.4A/100AC 0.7A/240AC		
	INRUSH CURRENT (max.)	COLD STAT 70A/230VAC		
	LEAKAGE CURRENT	0.25mA/240VAC		
PROTECTION	OVER CURRENT	Above 105% rated output power.		
	SHORT CIRCUIT	Hiccup mode, recovers automatically after fault condition is removed		
ENVIRONMENT	WORKING TEMP.	-10~50°C		
	WORKING HUMIDITY	20~90% RH non-condensing		
	STORAGE TEMP, HUMIDITY	-40~80°C, 10~95% RH		
	TEMP.COEFFICIENT	± 0.03%/°C (0~50°C)		
	VIBRATION	10 ~ 500Hz, 2G 10min./1cycle, period for 60min. each along X,Y, Z axes		
SAFETY & EMC	SAFETY STANDARDS	Design refer to UL1310 Class 2,TUV EN62368-1, EN61347-2-13, CAN/CSA C22.2 No. 223-M91, meet IP67		
	WITHSTAND VOLTAGE	I/P-O/P:3KVAC		
	ISOLATION RESISTANCE	I/P-O/P:>100M Ohms / 500VDC / 25~70% RH		
	EMI CONDUCTION & RADIATION	Compliance to EN55032:2015+A11:2020		
DIMENSION		162*42.5*30mm (L*W*H)		

## Mechanical Specification



## Block Diagram

